

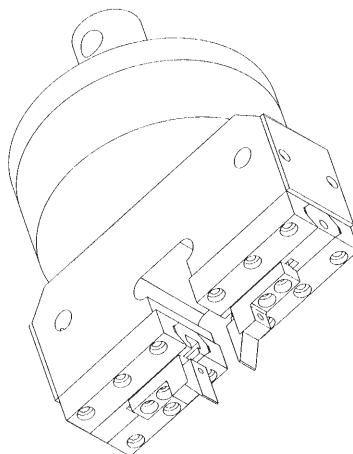
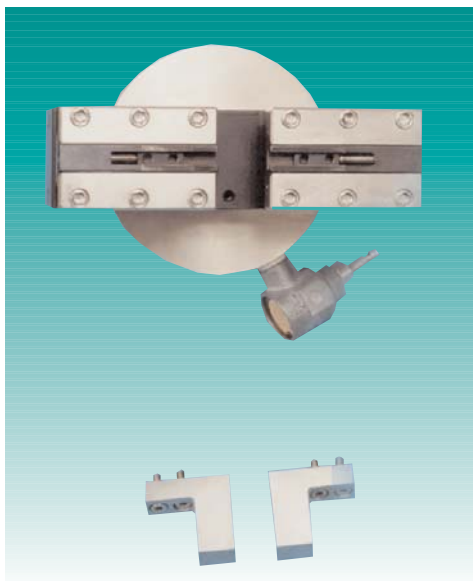


2712 Series Pneumatic Versa Grips

Catalog Number 2712-202, 2712-203, 2712-204

Features

- Parallel (vice) action
- Gripping area is outside the grip body making it suitable for gripping large or irregularly shaped products
- Front specimen loading
- Pneumatically operated grip
- Capacity:
 - 2712-202 500 N (100 lb, 50 kgf)
 - 2712-203 1 kN (200 lb, 100 kgf)
 - 2712-204 2 kN (400 lb, 200 kgf)
- Temperature range: 0 °C to +60 °C
(+32 °F to +140 °F)
- Upper and lower fittings: Type Om
(12 mm connection with 6 mm clevis pin)
- The jaw faces attach via T-slots allowing a wide variety of configurations. The gripping width is adjustable via the T-slots. The grip is suitable for tension and torsion applications. A range of jaw faces are available.
 - Interlocking (YKK)
 - Serrated, 12.5 mm (0.5 in) wide x 25.4 mm (1 in) high
 - Serrated, 25.4 mm (1 in) wide x 25.4 mm (1 in) high
 - Serrated, 25.4 mm (1 in) wide x 12.5 mm (0.5 in) high
 - Smooth ground, 12.5 mm (0.5 in) wide x 25.4 mm (1 in) high



▲
2712-202, 2712-203, 2712-204 pneumatic versa grip