

2717 SERIES TENSION GRIPS

Catalog Number 2717-029

The tension grips are designed to perform static tensile tests on shoulder-ended and threaded-end test specimens to various international standards.

The grips are designed with a double alignment arrangement at each end, which forms a universal joint of movement. This ensures the specimens are loaded in uniaxial tension, not requiring any adjustment during use.

A full range of interchangeable grip heads are available for use with specimens of different cross-sectional areas.

A safety guard is provided for the shoulder specimen grips to prevent specimens being ejected from the grips where stored energy is released on specimen breakage.

PRINCIPLE OF OPERATION

Easy to install, the design allows for fast, efficient testing of threaded and shoulder specimens freely accessible from the front. The grips are then self-aligning and for uniaxial loading of the specimen.

FEATURES

- Rated capacity: 100 kN (10,000 kg, 22,500 lb)
- Accepts a range of different cross-sectional areas of shoulder ended and threaded end specimens
- Conforms to ISO, ASTM, EN, DIN and many other standards
- Quick and easy to use
- Self alignment for uniaxial tension tests
- Safety guard for use with shoulder specimens
- Rugged design for minimum maintenance
- Temperature range: -70 °C to +350 °C (-94 °F to +662 °F)

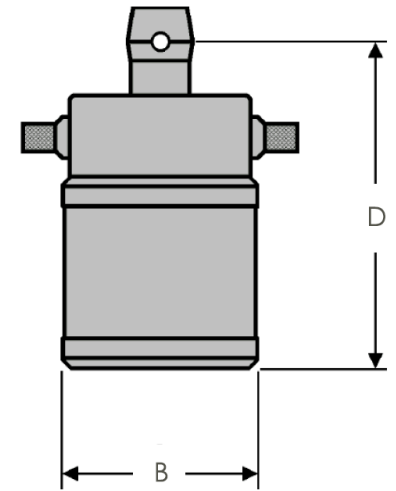
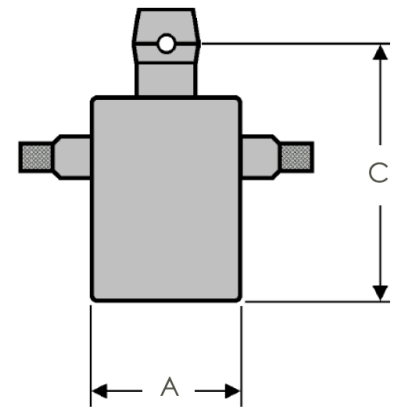
APPLICATION RANGE

- Type of loading: Tensile static and tensile cyclic tests. Not suitable for high cycle fatigue tests.
- Specimen material: Steel, non-ferrous metals.
- Specimen shapes: Round specimen with shoulder or threaded heads.



2717-029 SPECIFICATIONS

Maximum Capacity	kN	100
	lbf	22,500
Mechanical Upper fitting	-	0.5 1 n clevis pin (Type Dm)
Mechanical Lower fitting	-	0.5 1 n clevis pin (Type Dm)
Threaded Specimens Grip Head Width (A)	mm	51
	in	2
Shoulder Specimens Grip Head Width (B)	mm	76
	in	3
Shoulder Specimens Grip Head Length (C)	mm	110
	in	4.3
Shoulder Specimens Grip Head Width (D)	mm	152
	in	6
Upper Grip Weight	kg	2.7
	lb	6
Temperature Range	°C	-70 to +350
	°F	-94 to +662
Working Principal	-	Contour contact force transfer via shoulder or threaded ends



Grip dimensions for self-aligning tension

Notes: Self-aligning tension grips - scope of supply: 1 pair of grips

GRIP HEADS FOR THREADED SPECIMEN ENDS

Catalog Number	Maximum Capacity			Specimen End
	kN	kg	lb	
2717-021	100	10,000	22,500	M8
2717-022	100	10,000	22,500	M10
2717-023	100	10,000	22,500	M12
2717-024	100	10,000	22,500	M18
2717-025	100	10,000	22,500	M20
2717-026	100	10,000	22,500	M24
2717-027	100	10,000	22,500	Blank

GRIP HEADS FOR SHOULDER SPECIMEN ENDS

Catalog Number	Maximum Capacity			Specimen End Location Diameter	
	kN	kg	lb	mm	in
2717-031	100	10,000	22,500	6	0.2
2717-032	100	10,000	22,500	8	0.3
2717-033	100	10,000	22,500	10	0.4
2717-034	100	10,000	22,500	15	0.6

Notes:

- Grip heads - scope of supply: 1 pair of grips.
- The blank threaded grip head will accept a maximum thread size up to M30.

www.instron.com

Worldwide Headquarters
825 University Ave, Norwood, MA 02062-2643, USA
Tel: +1 800 564 8378 or +1 781 575 5000

European Headquarters
Coronation Road, High Wycombe, Bucks HP12 3SY, UK
Tel: +44 1494 464646