

±3 KN COMPRESSION PLATENS

2840-117

Instron® 2840-117 Compression Platens incorporate LVDT mounting and are designed for reliable compressive high-cycle fatigue testing.

PRINCIPLE OF OPERATION

the capability of compression testing. The platens are rigidly fixed and are non self-aligning. They have a high stiffness that resists off-centre loads; this retains the parallelism during specimen failure. The edge of the platen allows for the attachment of an LVDT, allowing you to measure the direct displacement between two equal sized platens during a compression test.

The specimen is placed on the lower platen whilst the upper platen is used to apply an opposing force on the specimen.

This allows for high-cycle fatigue compression testing.

APPLICATION RANGE

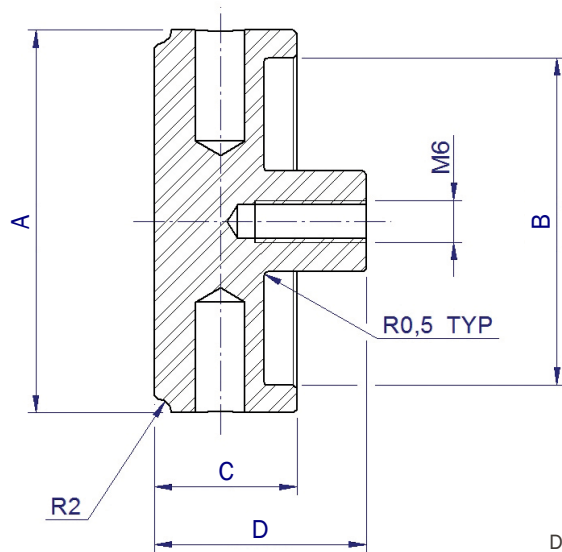
- Type of loading: Compression - Compression cyclic tests; suitable for high-cycle dynamic fatigue and static tests
- Specimen shapes: Flat and round
- Compatible with ElectroPuls E1000



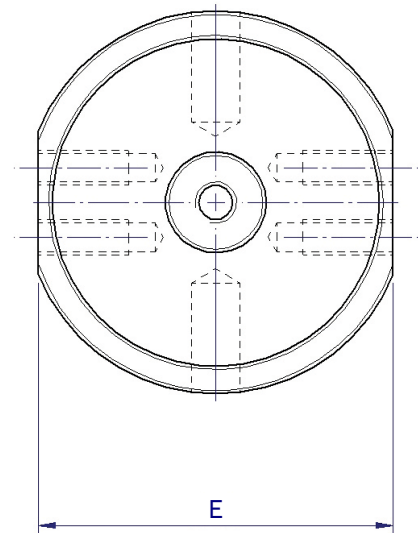
±3 kN compression platens

FEATURES

- 3 kN (675 lbs) capacity
- Platen diameter of 50 mm (1.97 in)
- Wide temperature range of -40 to +100°C (-40 to +212°F)
- Compatible with 2601-071 LVDT Platen Displacement Fixture and appropriate LVDT. Select from 2601-091/2/3



Dimensions



SPECIFICATIONS

Catalogue Number		2840-117
Maximum Force Capacity	kN	±3
	lbf	±675
Upper and Lower Fitting		M6 x 1 RH Female
LVDT Fitting		2 off M5
Platen Diameter	mm	50
	in	1.97
Temperature Range	°C	-40 to +100
	°F	-40 to +212
A	mm	55
	in	2.16
B	mm	47
	in	1.85
C	mm	20.5
	in	0.81
D	mm	30.5
	in	1.20
E	mm	51
	in	2.0



OPTIONAL ITEMS FOR USE WITH 2840-117

Catalog Number	Description
2601-071	LVDT Platen Displacement Fixture
2601-091	LVDT Deflection Sensor, range ±0.5 mm (0.02 in)
2601-092	LVDT Deflection Sensor, range ±2.5 mm (0.1 in)
2601-093	LVDT Deflection Sensor, range ±15 mm (0.6 in)

OPTIONAL ACCESSORIES

- LVDT Platen Displacement Fixture: Fitted between compression platens allowing for easy deflection measurement during testing.

www.instron.com



Worldwide Headquarters
825 University Ave, Norwood, MA 02062-2643, USA
Tel: +1 800 564 8378 or +1 781 575 5000

European Headquarters
Coronation Road, High Wycombe, Bucks HP12 3SY, UK
Tel: +44 1494 464646

CEAST Headquarters
Via Airauda 12, 10044 Pianezza TO, Italy
Tel: +39 011 968 5511