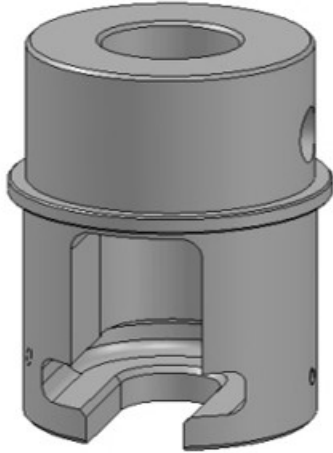


UNIVERSAL SPECIMEN HOLDERS

CP117583 and CP121400



CP117583 - 100 kN



CP121400 - 250 kN

The Universal Specimen Holders utilize a grip head and insert design to allow for rapid specimen changes and testing. The ability to swap inserts simplifies test set up when testing several different geometry specimens in one testing session.

The Universal Specimen Holders also include adjustable specimen recoil stops allowing for the use of Instron's AutoX 750.*

These grips come in load capacities of 100 kN (CP117583) and 250 kN (CP121400). Made from 17-4PH, they can be used at a temperature range of -70 °C and 350 °C. Therefore, these grips are perfect for testing metal samples and fasteners under the most extreme conditions.

PRINCIPLE OF OPERATION

The Universal Specimen Holders provide for easy interchange of specimens and inserts without requiring the whole fixture to be taken apart and reassembled for each new specimen. These grips can be used for both shoulder end and threaded specimens because they accept many different types of inserts.

Once a specimen is loaded, the lock-ring can be rotated to ensure the specimen and inserts remain in the grip body throughout the test. After the test, specimen and inserts can be easily replaced.

APPLICATION RANGE

- Best suited for use without an extensometer on a wide variety of specimen shapes
- Type of Loading: Tensile static and tensile cyclic tests. Not suited for high-cyclic fatigue tests.
- Specimen material: Steel, non-ferrous metals
- Specimen shapes: Round specimens with shoulder or threaded heads
- Split and threaded inserts
- For standard dictated specimen length, no extensometer used*

* This solution is most suitable for customers who test a wide range of button head specimen types. If an extensometer is required, specimen length required may be greater than specimen length dictated by standard.

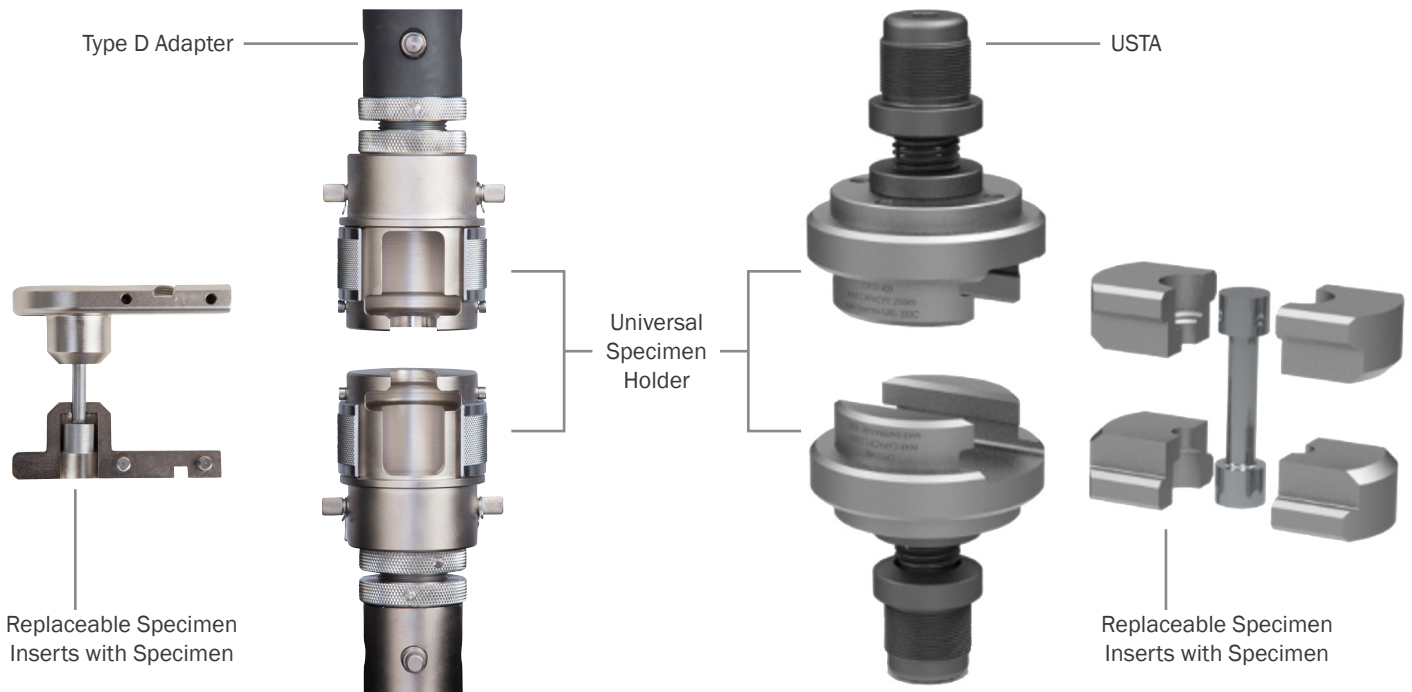
SPECIFICATIONS

Catalog Number	Maximum Capacity	Temperature Range	Grip Connection	Typical Shoulder End Specimen Dimensions	Typical Threaded End Specimen Dimensions	Standards Compatibility
	kN	°C		mm		mm
CP117583	100	-70 to 350	Type D Pin and Clevis Adapter	3 - 10	M7 - M12	ISO, ASTM, EN, DIN Insert Dependent
CP121400	250	-70 to 350	M36 × 4 F Right Hand Thread	14 - 25	M10 - M16	ISO, ASTM, EN, DIN Insert Dependent

Note:

Inserts can be made for a wide variety of shoulder end and threaded specimens. Contact Instron for custom made inserts.

HIGHLIGHTED FEATURES AND ASSEMBLY



Note:

Grips are shown with but do not include the following: W-5551 USTA Adapters, Specimen Inserts, or Specimen

www.instron.com



Worldwide Headquarters
825 University Ave, Norwood, MA 02062-2643, USA
Tel: +1 800 564 8378 or +1 781 575 5000

European Headquarters
Coronation Road, High Wycombe, Bucks HP12 3SY, UK
Tel: +44 1494 464646